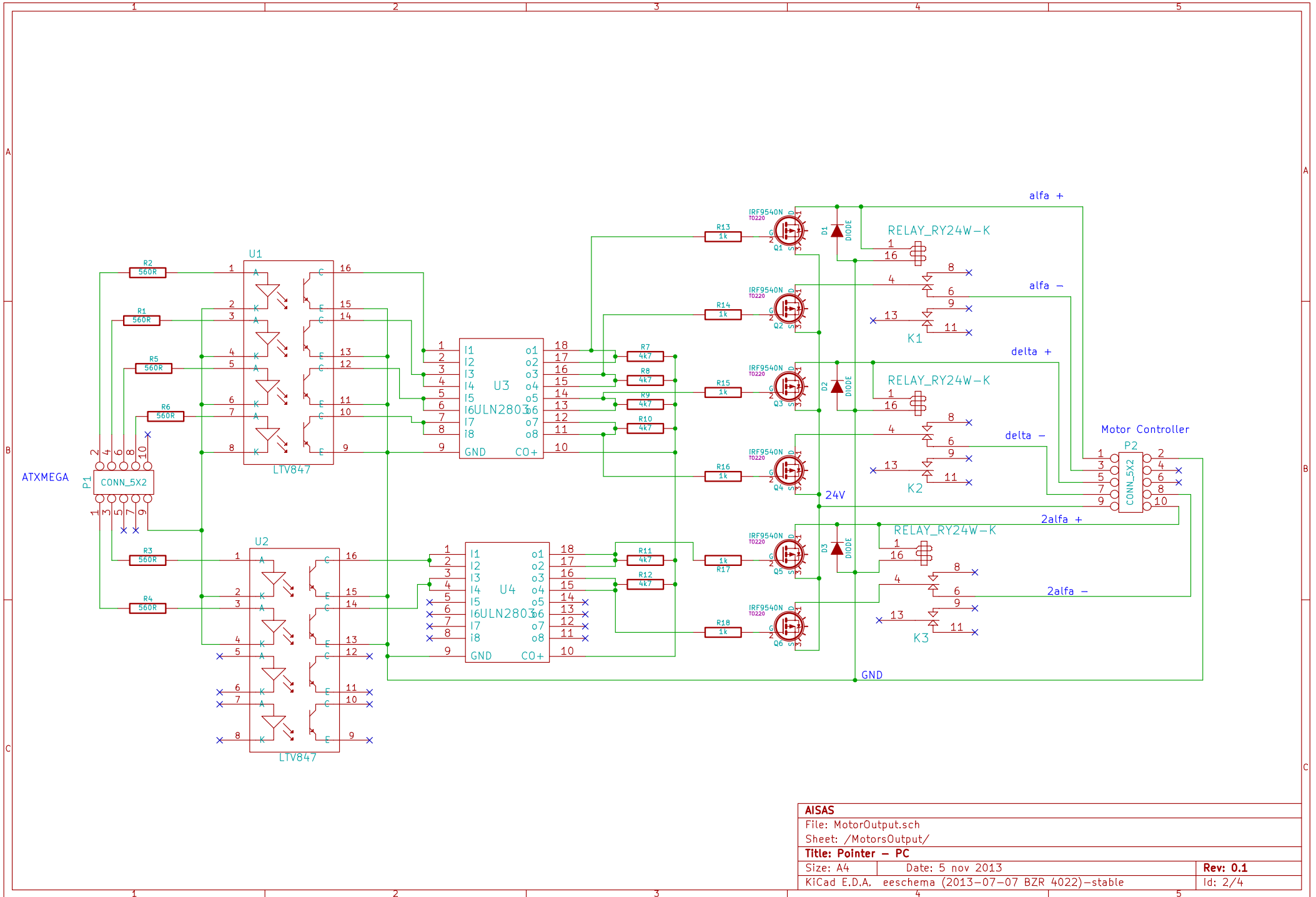
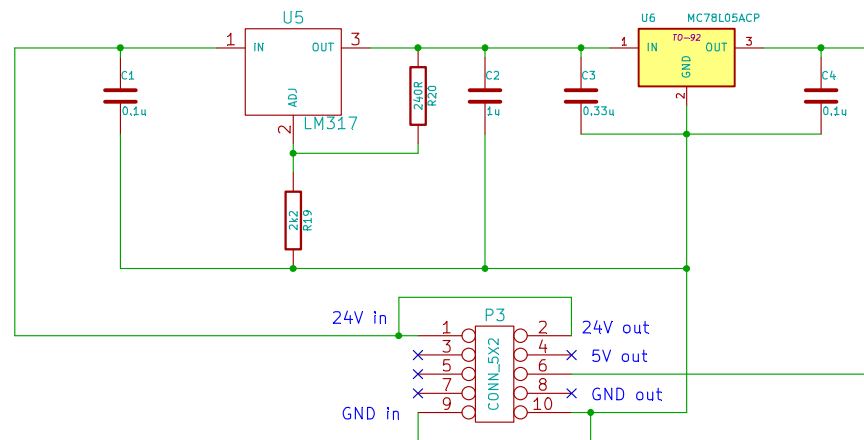


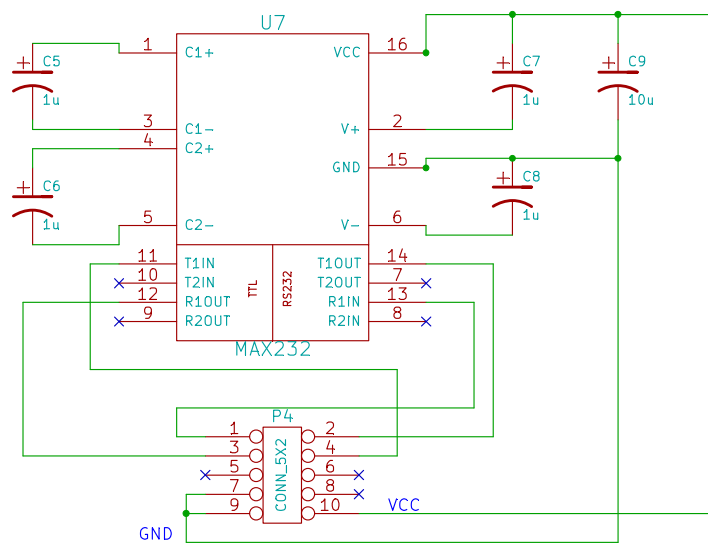
AISAS		
File: pointer_PC_0p1.sch		
Sheet: /		
Title: Pointer - PC		
Size: A4	Date: 5 nov 2013	Rev: 0.1
KiCad E.D.A. eschema (2013-07-07 BZR 4022)-stable		Id: 1/4



AISAS		
File: MotorOutput.sch		
Sheet: /MotorsOutput/		
Title: Pointer - PC		
Size: A4	Date: 5 nov 2013	Rev: 0.1
KiCad E.D.A. eschema (2013-07-07 BZR 4022)-stable		Id: 2/4



File: PowerModule.sch		
Sheet: /Power Module/		
Title:		
Size: A4	Date: 5 nov 2013	Rev: 0.1
KiCad E.D.A. eeschema (2013-07-07 BZR 4022)-stable		Id: 3/4



File: SerialConv.sch		
Sheet: /Serial Converter/		
Title:		
Size: A4	Date: 5 nov 2013	Rev: 0.1
KiCad E.D.A. eeschema (2013-07-07 BZR 4022)-stable		Id: 4/4