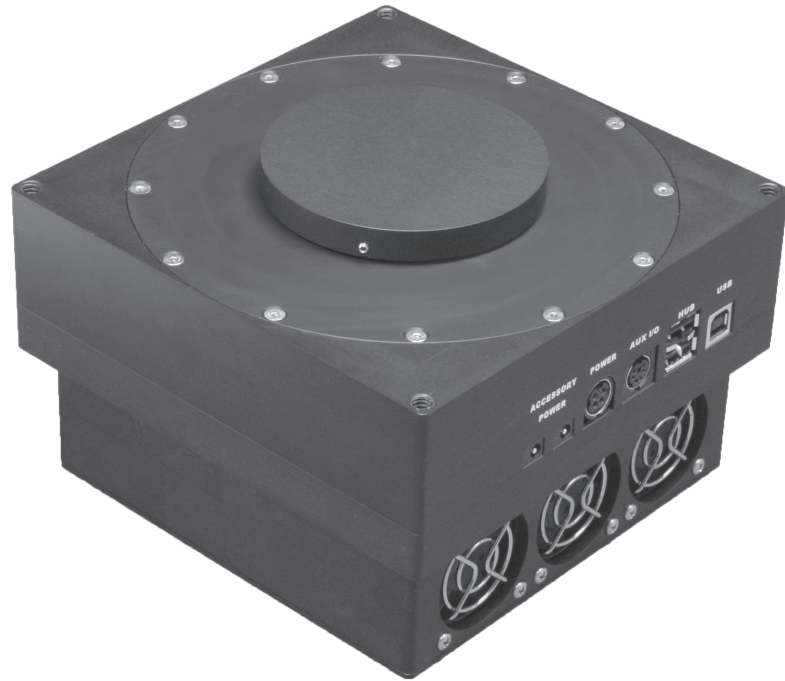


1024 x 1024 Imaging Array Size 24 µm Pixel Size

ProLine sets the standards in key performance areas that include: Download Speeds, Cooling, Low Noise Operation, Anti-Ghosting Technology, Image Quality, and Linearity. ProLine download speeds are fast while maintaining low-noise frame quality. ProLine achieves outstanding cooling without water assist. Simply set the ProLine cooling where you want it and the camera will do the rest – quickly and without worries. ProLine frame quality is second to none thanks to careful design, implementation and setup. All cameras are assembled in our clean room under exacting conditions and must pass a battery of tests before being shipped.



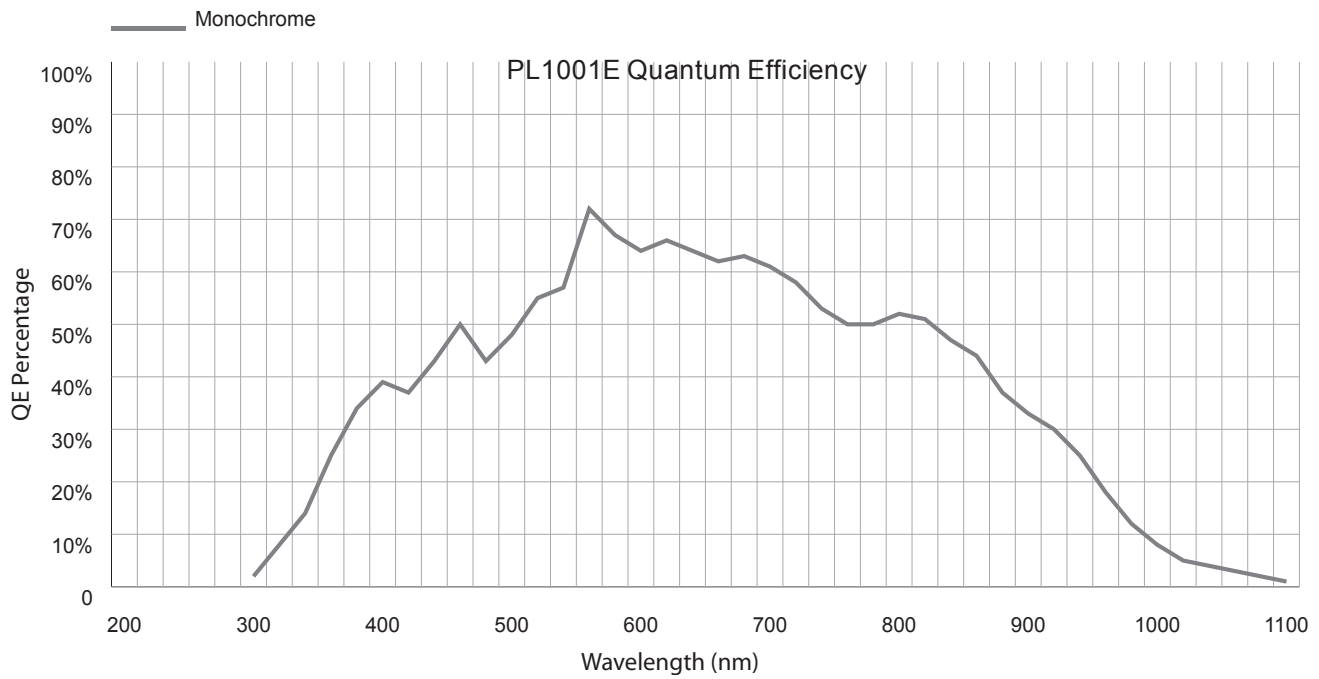
Applications

- | | |
|---------------------|-------------------------|
| Digital Radiography | Gel Documentation |
| Astronomy | Forensic Imaging |
| Bioluminescence | Satellite Imaging |
| Chemoluminescence | Low Light Level Imaging |

Features	Benefits
Up to 3.3 MHz Download Speed	Fast image capture with full 16-bit resolution
1024 x 1024 Array Size / 24 µm Pixel Size	Resolves fine detail
Flexible Binning and Readout	Increases frame rate
Thermoelectric Cooling to -70° C	Excellent low-noise imaging
Excellent Quantum Efficiency	High sensitivity for fast image acquisition
F-Mount Available	Offers a wide variety of optical choices
Acquisition Software	Supplied with camera and includes our open source SDK
USB 2.0 Interface	Industry standard connectivity, fast data transfer



Quality. Cooled. Cameras.

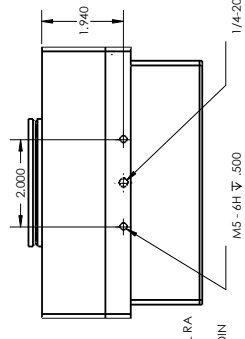
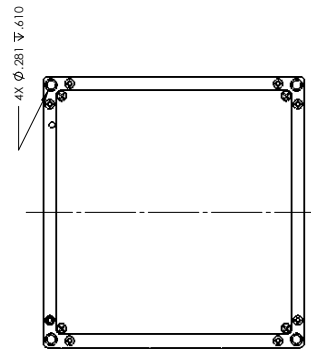
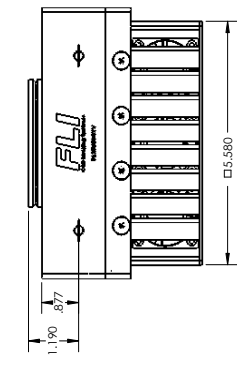
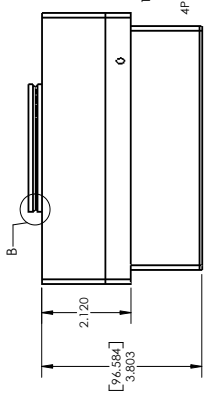
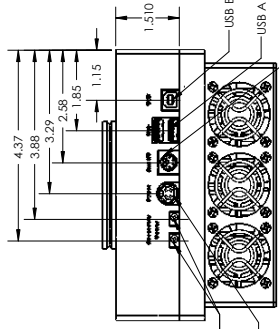
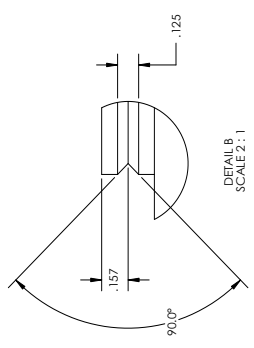
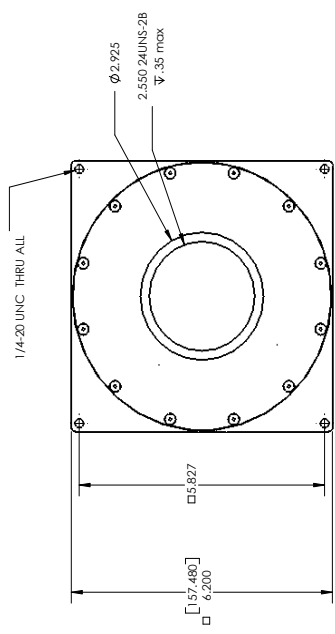
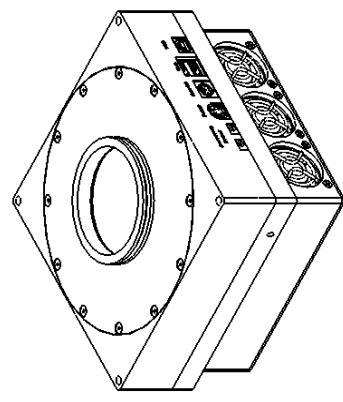


PL01001E Specifications	
Sensor	KAF-1001E
Array Size	1024 x 1024
Pixel Size	24 μ m
Typical Maximum Cooling	-70° C Below Ambient
Typical Download Speeds @ 16-bit	1 MHz, 3.3 MHz (other speeds available)
Typical System Noise	9 e- RMS @ 1 MHz
Nonlinearity	<1%
Temperature Stability	0.1° C
Operating Environment	-30° C - 45° C 10% - 90% Relative Humidity
Sensor Manufacturer	Kodak
CCD Grades Available	Standard
CCD Type	Front Illuminated
Color/Monochrome	Monochrome
Mega Pixels	1
Sensor Diagonal	34.8 mm
Linear Full Well	500,000 e-
Typical Dark Current	<0.2 e-/pixel/sec. @ -45° C
Anti Blooming	None
Memory	64 MB Standard
Available Shutters	65 mm
Shutter MTBF	1,000,000
Remote Triggering	Standard
Power	12v
Interface	USB 2.0
Dimensions	6.2 x 6.2 x 3.8 (157.48 x 157.48 x 96.52)

* Due to continuous development all specifications subject to change



REV. A	DESCRIPTION	DATE
1	ASSEMBLY DRAWING	12/20/2008



LINES OR DIMENSIONS SPECIFIED		NAME	DATE
DIMENSIONS ARE IN INCHES		REC.	DATE/ID
DIMENSIONS ARE IN MILLIMETERS		DRAWN	
ANGULAR DIMENSIONS ARE IN DEGREES		CHECKED	
HOLE DIMENSIONS ARE IN MILLIMETERS		ENG APPR.	
HOLE POSITION DIMENSIONS ARE IN MILLIMETERS		INFO APPR.	
HOLE POSITION DIMENSIONS ARE IN MILLIMETERS		Q.A.	
MATERIAL		COMMENTS:	
FINISH		NEEDED FOR THIS DRAWING	
APPLICATION		SCALE: 1:2	
PART NAME		WEIGHT:	
PART NUMBER		SHEET 1 OF 1	

PROPERTY AND COMMENTARY		PL(X) 65MM	
ALL INFORMATION CONTAINED HEREIN IS THE PROPERTY OF FLI AND IS TO BE KEPT CONFIDENTIAL WITHOUT THE WRITTEN PERMISSION OF FLI.		WHITE (A) - 65MM (B)	
TITLE:		Camera Assy	
SIZE:		PROLINE	
DWG. NO.:		ASSY_PL(X)_65MM_AC	
REV.:		A	